

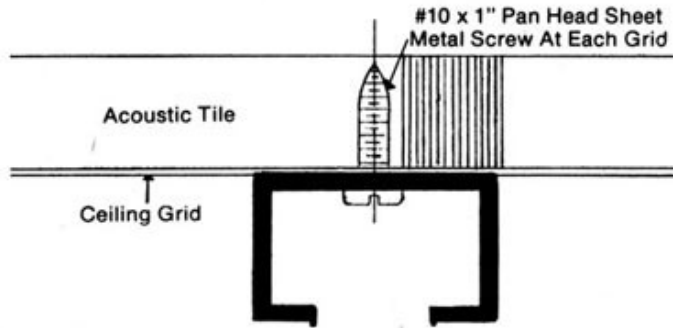


A. A. M. I.
A New World Company
with Old World Values

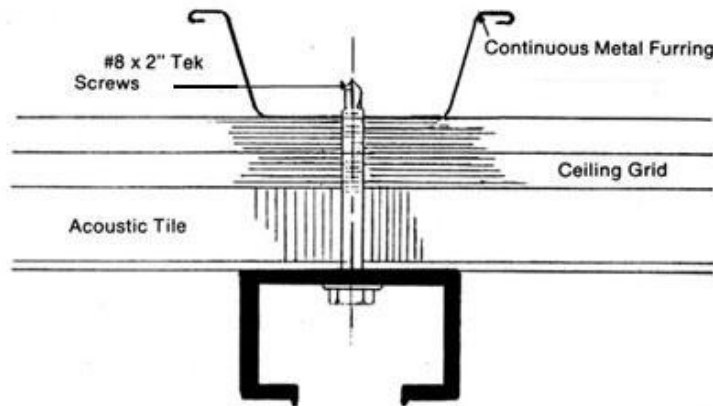
Alderman Acres Mfg., Inc.

Standard Track Installation for Acoustic Tile Ceiling

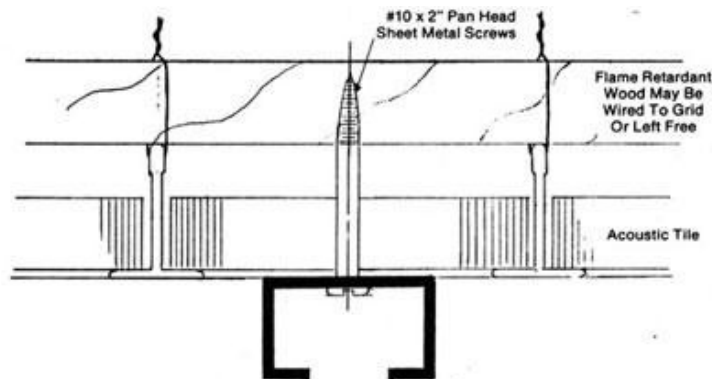
Method 1 - Attached directly to the Acoustic Tile Grid



Method 2 - Attached to Metal Furring if present



Method 2 - Attached to Wood wired or laid above the Acoustic Tile Grid



If you have any questions please contact us.

Our Friendly Staff would be pleased to assist you in anyway we can.

623 Union St.
Coffeyville, KS 67337
Ph. 620-251-4095, Fax 620-251-4096
Email: info@aldermanacres.com
Website: www.AAMlonline.com