

Instructions for Track Installation

NOTE! You will not need all of the items pictured on this page for every order.

When installing cubicle track, check to make sure all of your hardware is enclosed. **Screws to connect track to the ceiling are not included because of different ceiling types.** The type of ceiling designates the type of screw. If grid clips are enclosed, no screws are necessary.

For example:

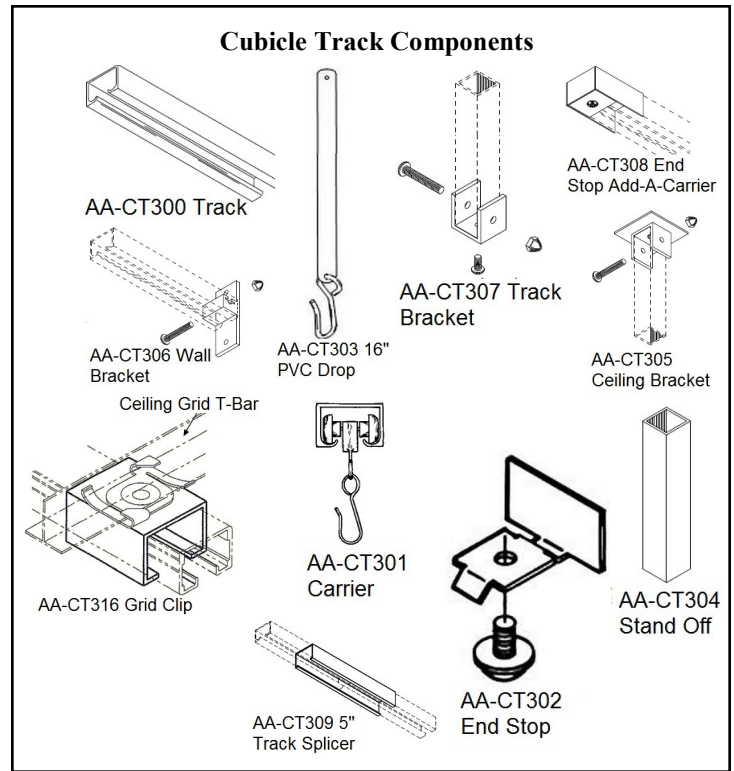
- For a drop ceiling with metal grid, use a No. 6 or No.8 self-tapping screw, attaching track to metal grid. Track can go either along grid or crossways.
- For plaster ceiling, use a 2" mollies screw.
- For wood ceiling, use a 1" wood screw.

After determining placement of track, you will need to pre-drill the track every 2' to 4', using a 3/32 drill bit. All screws should be placed along the inside of track. Be sure screws have flat heads. Easiest installation is with a cordless screwdriver.

Carriers (included) should be equal to the amount of grommets in each curtain.

End stops (included) should be placed on each end of the track.

Screws for ceiling brackets, wall brackets, and track brackets...when applicable, are included.
(Only needed if track is suspended below the ceiling.)



“Thank you for using our products!”

If your track has been spliced for shipping purposes, the following drawing (s) will assist you in installation: NOTE! For adjacent track, 8” has been added for overlap.

